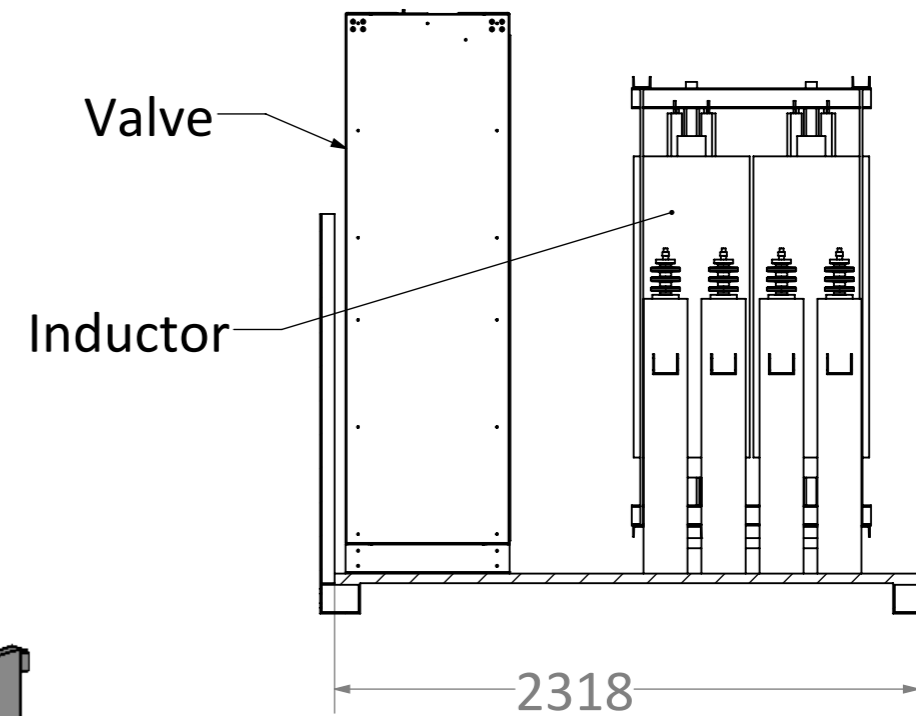
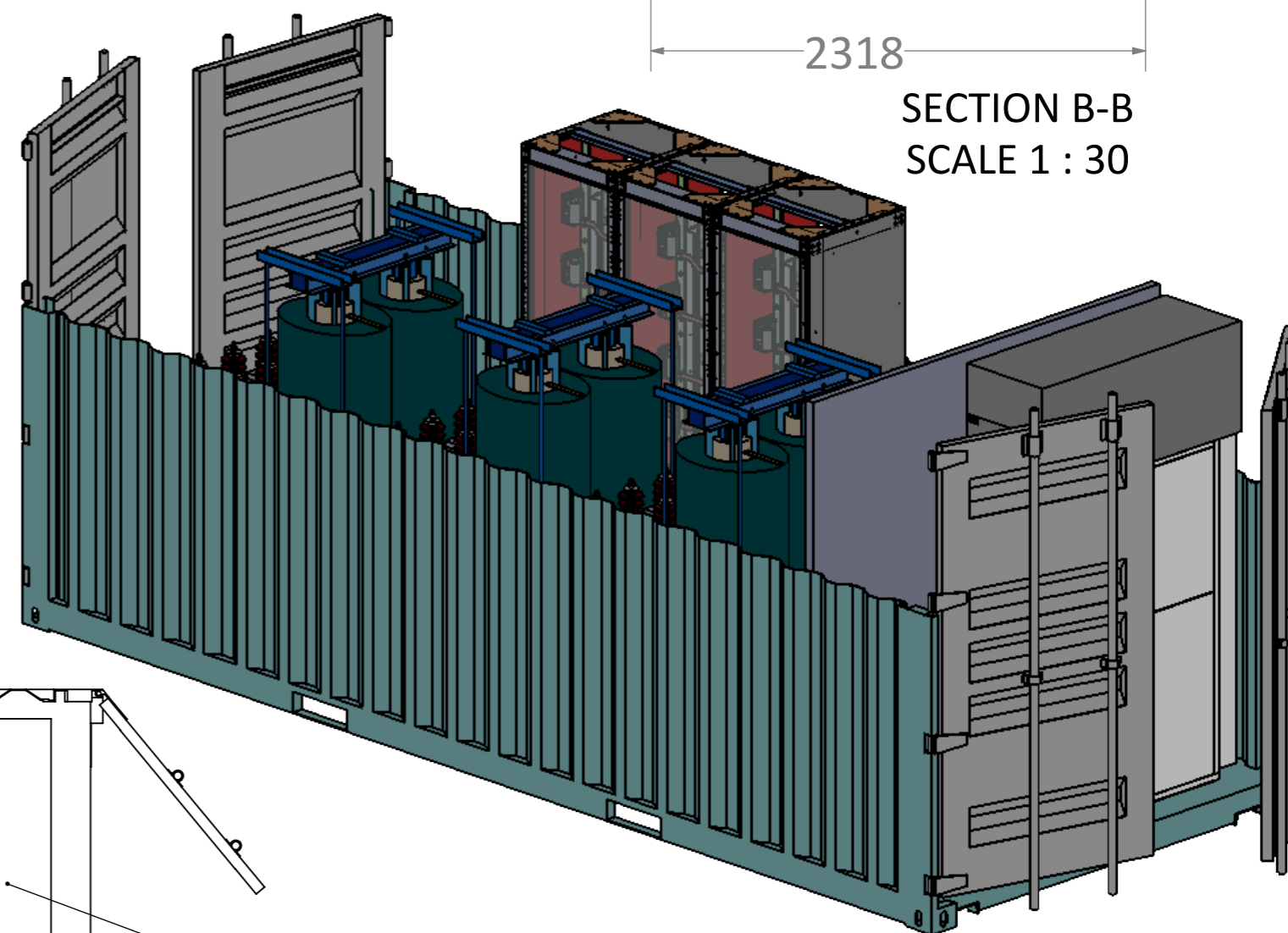


SECTION A-A  
SCALE 1 : 30

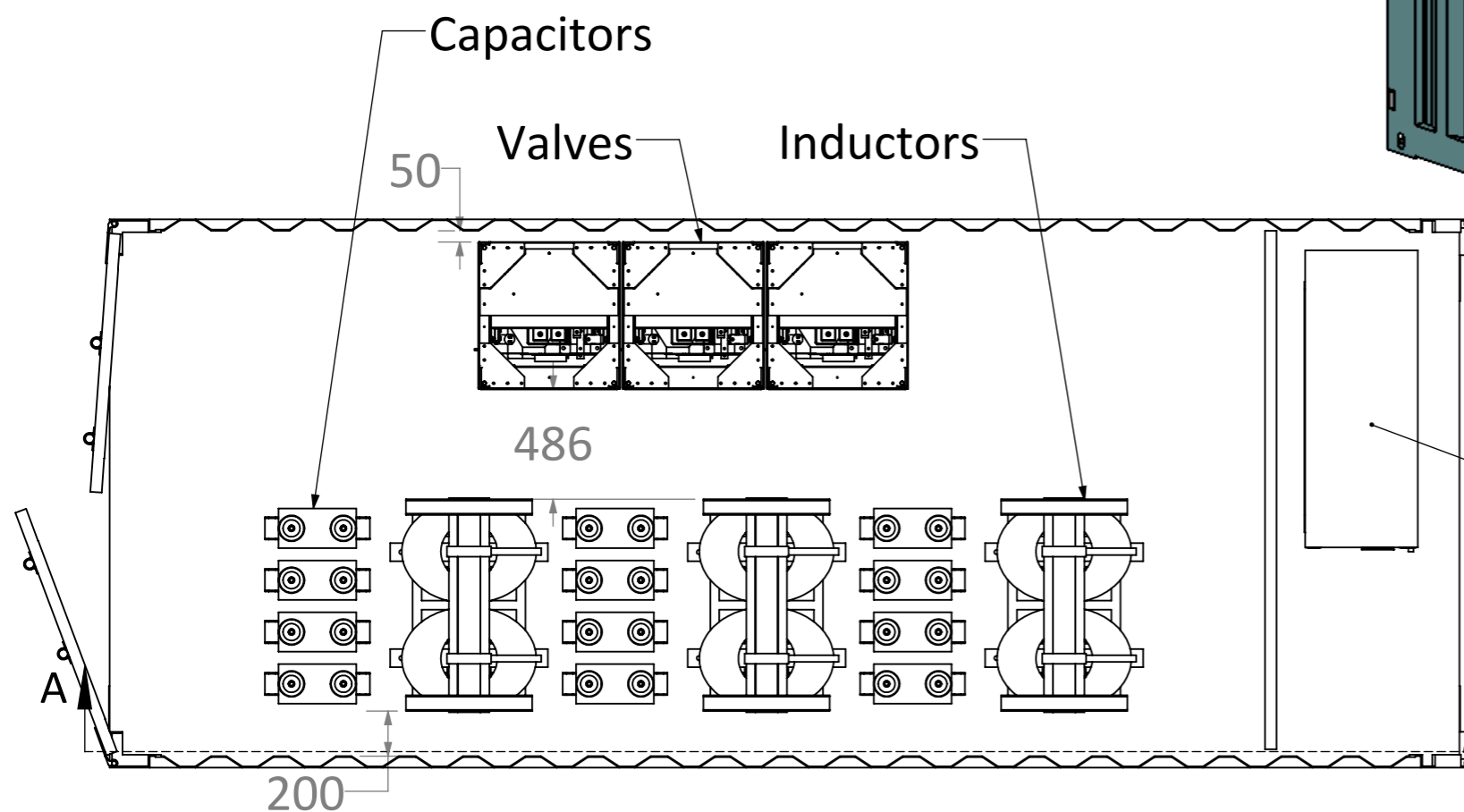
Inductor  
Capacitors



SECTION B-B  
SCALE 1 : 30



CB cabinet  
(ABB or other)



Capacitors  
Valves  
Inductors

50

486

200

TITLE:  
**6M 14%**

DESCRIPTION: .....

DES: Amram G.

DRW: Amram G.

CHK: Shevach G.

**ESPEC** Tel: +972-4-6272470  
Fax: +972-4-6272465

UNLESS OTHERWISE SPECIFIED  
LINEAR TOLERANCES: ±1

DIMENSIONS ARE IN MM DATE: 13.4.22

DWG NO: .....

SHEET: 1/1 REV:0